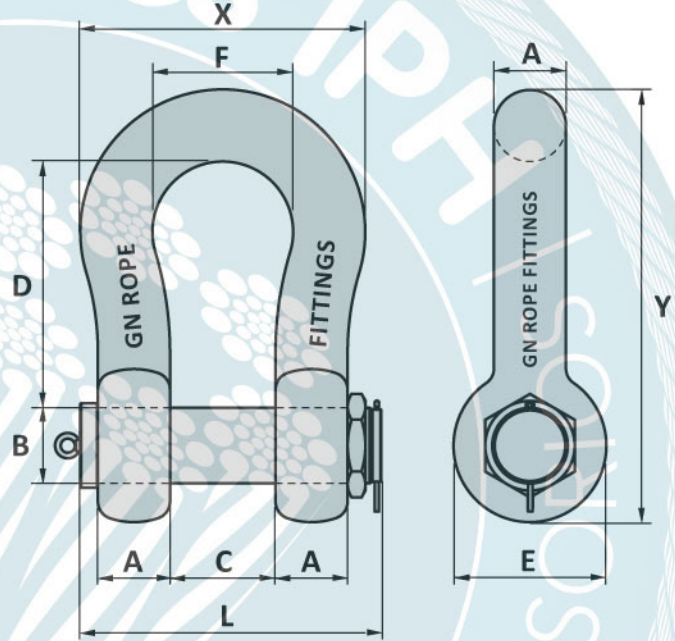


BOW SAFETY PIN SHACKLE

TYPE H10

- Material : Forged alloy steel quenched and tempered
- Safety factor : 5 times
- Standards : Generally according to US Federal Spec RR-C-271
- Finish : Painted
- Temperature range : -40°C up to +200°C; Polar Rated
- Standard certification : Certificate of Conformity
3.1 material certificate EN 10204

Non-standard sizes or custom products available on request



| Art. No. | WLL ton | A mm | B mm | C mm | D mm | E mm | F mm | L mm | X mm | Y mm | Weight kg |
|----------|---------|------|------|------|------|------|------|------|------|------|-----------|
| 37001209 | 120 | 89 | 95 | 150 | 380 | 200 | 238 | 420 | 416 | 617 | 110 |
| 37001509 | 150 | 102 | 108 | 170 | 400 | 230 | 275 | 475 | 479 | 671 | 160 |
| 37002009 | 200 | 120 | 125 | 180 | 500 | 260 | 290 | 520 | 530 | 813 | 235 |
| 37002509 | 250 | 125 | 140 | 205 | 540 | 260 | 305 | 560 | 555 | 865 | 285 |
| 37003009 | 300 | 130 | 150 | 205 | 600 | 305 | 305 | 570 | 565 | 958 | 340 |
| 37004009 | 400 | 165 | 175 | 230 | 680 | 350 | 325 | 665 | 655 | 1108 | 560 |
| 37005009 | 500 | 180 | 185 | 255 | 700 | 370 | 350 | 720 | 710 | 1158 | 685 |
| 37006009 | 600 | 195 | 205 | 285 | 700 | 405 | 375 | 815 | 765 | 1200 | 880 |
| 37007009 | 700 | 205 | 217 | 310 | 700 | 435 | 400 | 860 | 810 | 1231 | 980 |
| 37008009 | 800 | 210 | 217 | 310 | 700 | 435 | 400 | 870 | 820 | 1236 | 1100 |
| 37009009 | 900 | 220 | 230 | 330 | 700 | 465 | 420 | 910 | 860 | 1268 | 1280 |
| 37010009 | 1000 | 230 | 240 | 350 | 750 | 480 | 420 | 950 | 880 | 1290 | 1460 |
| 37012509 | 1250 | 278 | 270 | 370 | 780 | 590 | 450 | 1105 | 1010 | 1490 | 2320 |
| 37015009 | 1500 | 280 | 290 | 370 | 800 | 610 | 450 | 1105 | 1010 | 1530 | 2450 |
| 37017509 | 1750 | 300 | 330 | 430 | 950 | 660 | 540 | 1230 | 1140 | 1745 | 3280 |
| 37020009 | 2000 | 320 | 360 | 460 | 1050 | 680 | 560 | 1300 | 1200 | 1890 | 3920 |

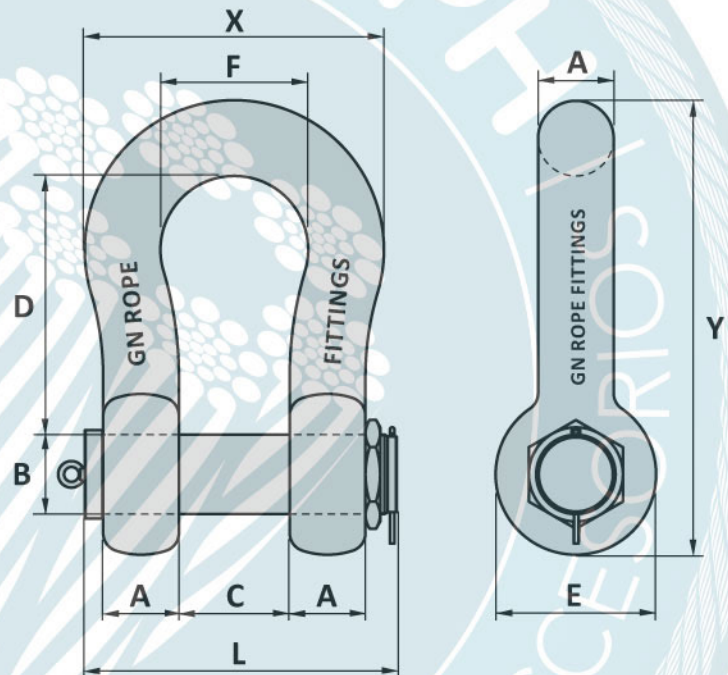
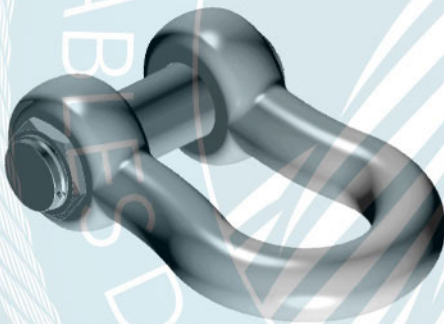
Tolerance: Inside length ± 7.5%, all other forged parts ± 5%, machined parts ± 1 mm

BOW SAFETY PIN SHACKLE (SUPER)

TYPE H10 SUPER

Material : Forged alloy steel quenched and tempered
 Safety factor : 5 times
 Finish : ≤ 55 ton galvanised
 > 55 ton painted
 Temperature range : ≤ 55 ton -20°C up to +200°C
 > 55 ton -40°C up to +200°C; Polar Rated
 Standard certification : Certificate of Conformity
 3.1 material certificate EN 10204

Non-standard sizes or custom products available on request



* Shackles from 30 ton ≤ 85 ton are not supplied with an eyebolt

| Art. No. | WLL ton | A mm | B mm | C mm | D mm | E mm | F mm | L mm | X mm | Y mm | Weight kg |
|----------|------------|---------|---------|---------|---------|---------|---------|---------|---------|---------|--------------|
| 38000259 | 30 | 38 | 42 | 60 | 146 | 88 | 99 | 202 | 175 | 249 | 8.4 |
| 38000400 | 40 | 45 | 50 | 74 | 178 | 103 | 126 | 249 | 216 | 300 | 15 |
| 38000550 | 55 | 57 | 57 | 83 | 197 | 117 | 138 | 286 | 252 | 341 | 22 |
| 38000850 | 85 | 70 | 70 | 105 | 260 | 143 | 180 | 344 | 320 | 437 | 42 |
| 37001105 | 120 | 80 | 83 | 127 | 329 | 162 | 190 | 372 | 350 | 532 | 70 |
| 37001409 | 150 | 90 | 95 | 135 | 380 | 190 | 240 | 405 | 420 | 613 | 110 |
| 37001759 | 175 | 102 | 108 | 140 | 400 | 230 | 250 | 440 | 450 | 669 | 150 |
| 37002008 | 200 | 120 | 121 | 180 | 500 | 260 | 290 | 525 | 530 | 811 | 225 |
| 37002508 | 250 | 125 | 127 | 220 | 520 | 260 | 325 | 575 | 575 | 839 | 300 |
| 37003008 | 300 | 135 | 152 | 220 | 500 | 305 | 330 | 605 | 610 | 869 | 352 |

Tolerance: Inside length ± 7.5%, all other forged parts ± 5%, machined parts ± 1 mm